



Expanding Your Solutions

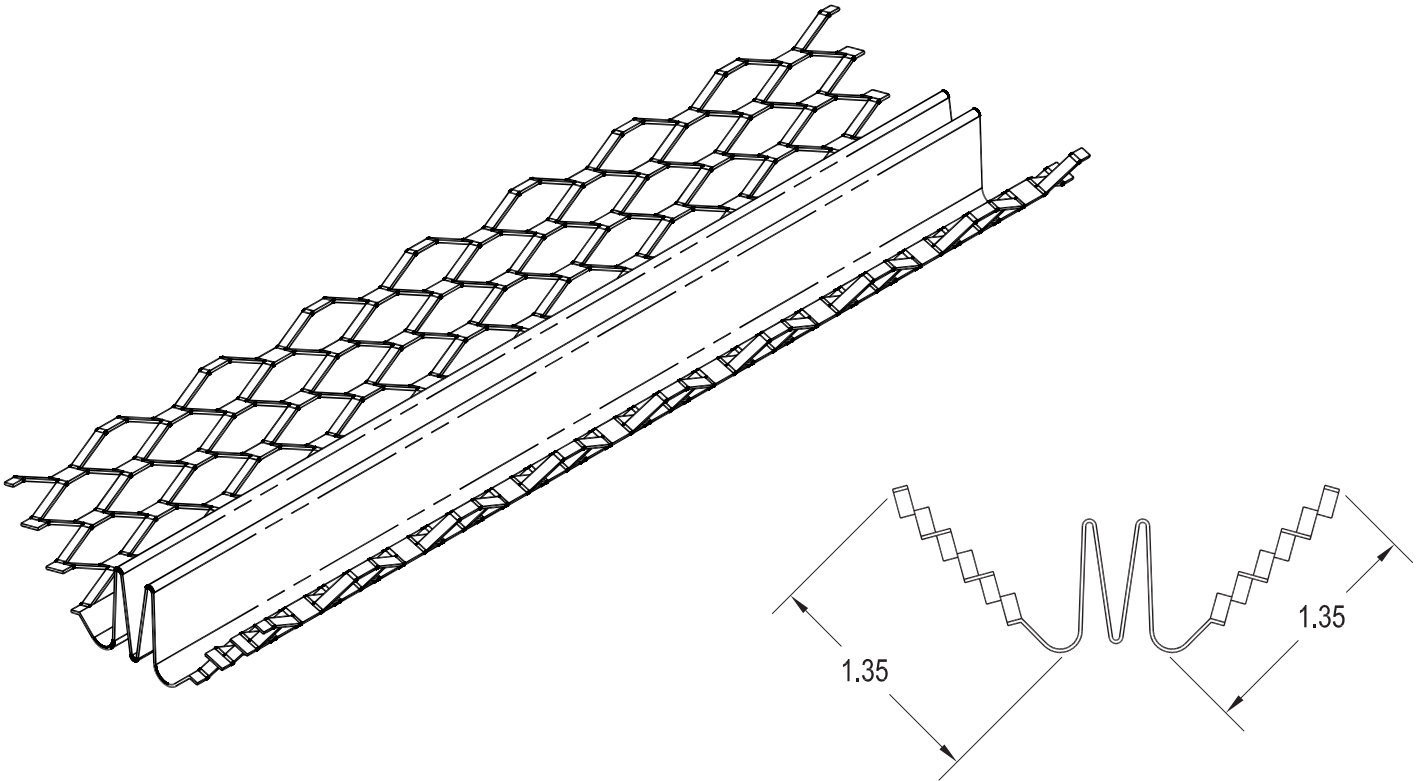
Corporate Headquarters
13191 Crossroads Parkway North, Suite 325
City of Industry, CA 91746
Phone: 800.775.2362
Fax: 626.330.7598

Manufacturing Facilities
City of Industry, CA
Denver, CO
Ft. Worth, TX
Pittsburg, CA

Structural Engineering/Design
1001-A Pittsburgh Antioch Hwy
Pittsburg, CA 94565
Phone: 800.775.2362
Fax: 626.330.7598

Technical Services
263 North Covina Lane
City of Industry, CA 91744
Phone: 800.416.2278
Fax: 626.249.5005

CORNER EXPANSION JOINT (#30)



Properties

No. 30 Corner Expansion Joint formed to a 90° for applications at inside corners. Absorbs movement due to expansion and contraction of plastered walls. Provided with expanded flanges for proper keying and easy application. No. 30 Corner Expansion Joint is fabricated from 26 gauge galvanized steel in standard G60 coating. G90 coating is available upon request.

Packaging

Size	Pieces / Carton	Length	Feet / Carton	Weight / Carton	Carton / Pallet
1/2"	24	10'	240'	66 lbs.	40
3/4"	24	10'	240'	74 lbs.	40
7/8"	24	10'	240'	83 lbs.	40

ASTM & Code Standards:

- ASTM A653
- ASTM A924
- ASTM C841
- ASTM C1063
- 2010/2013 CBC
- 2012/2015 IBC

LEED v3 for Building and Design Construction

- MR Credit 2: Construction Waste Management.
- MR Credit 4: Recycled Content.

LEED v4 for Building and Design Construction

- MR Prerequisite: Construction and Demolition Waste Management Planning.
- MR Credit: Construction and Demolition Waste Management.
- MR Credit: Building Product Disclosure and Optimization – Sourcing of Raw Materials, Option 2.
- MR Credit: Building Product Disclosure and Optimization – Environmental Product Declarations, Options 1 & 2.
- MR Credit: Building Product Disclosure and Optimization – Material Ingredients, Option 1.
- MR Credit: Building Life-Cycle Impact Reduction, Option 4.

CEMCO cold-formed steel framing products contain 30% to 37% recycled steel.

- Total Recycled Content: 36.9%
- Post-Consumer: 19.8%
- Pre-Consumer: 14.4%

Technical Services

Technical Services: 800.416.2278
Structural Engineering/Design: 925.473.9340
www.cemcosteel.com



This technical information reflects the most current information available and supersedes any and all previous publications effective August 1, 2016.

G061 Rev 3