



Expanding Your Solutions

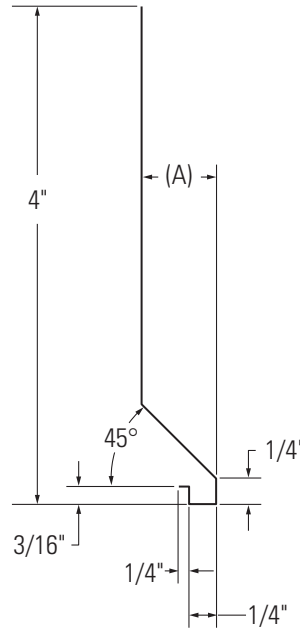
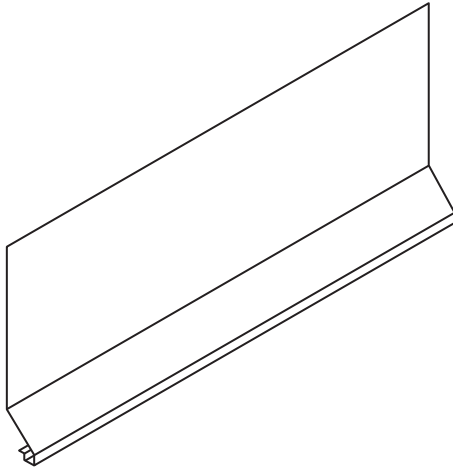
**Corporate Headquarters**  
 13191 Crossroads Pkwy N., Ste 325  
 City of Industry, CA 91746  
 Phone: 800.775.2362  
 Fax: 626.330.7598

**Manufacturing Facilities**  
 City of Industry, CA  
 Denver, CO  
 Ft. Worth, TX  
 Pittsburg, CA

**Structural Engineering/Design**  
 1001-A Pittsburgh Antioch Hwy  
 Pittsburg, CA 94565  
 Phone: 800.775.2362  
 Fax: 626.330.7598

**Technical Services**  
 13191 Crossroads Pkwy N., Ste 325  
 City of Industry, CA 91746  
 Phone: 800.416.2278  
 Fax: 626.249.5004

## #12 SOFFIT DRIP EDGE SPECIFICATION



The **#12 SOFFIT DRIP EDGE** is manufactured for soffit and recessed windows head application. The 45° slope allows water to weep out of the assembly. The Drip edge provides a place for water to drip from rather than travel back along the soffit. The #12 SOFFIT DRIP EDGE is part of CEMCO's Water Management Products of Stucco Accessories fabricated from minimum 0.018-inch thick hot dipped galvanized steel complying with ASTM A653 having a minimum G-90 coating complying with ASTM A925.

Size (A)	Pcs./Bundle	Length	Ft./Bundle	Wt./Bundle	Pieces/Pallet
3/4" (0.75")	20	10'	100	38 lbs.	250
7/8" (0.875")	20	10'	100	38 lbs.	250

**Technical Services**  
 Technical Services: 800.416.2278  
 Structural Engineering/Design: 925.473.9340  
 www.cemcosteel.com



This technical information reflects the most current information available and supersedes any and all previous publications effective July 31, 2019.

07-31-19 AT