



Expanding Your Solutions

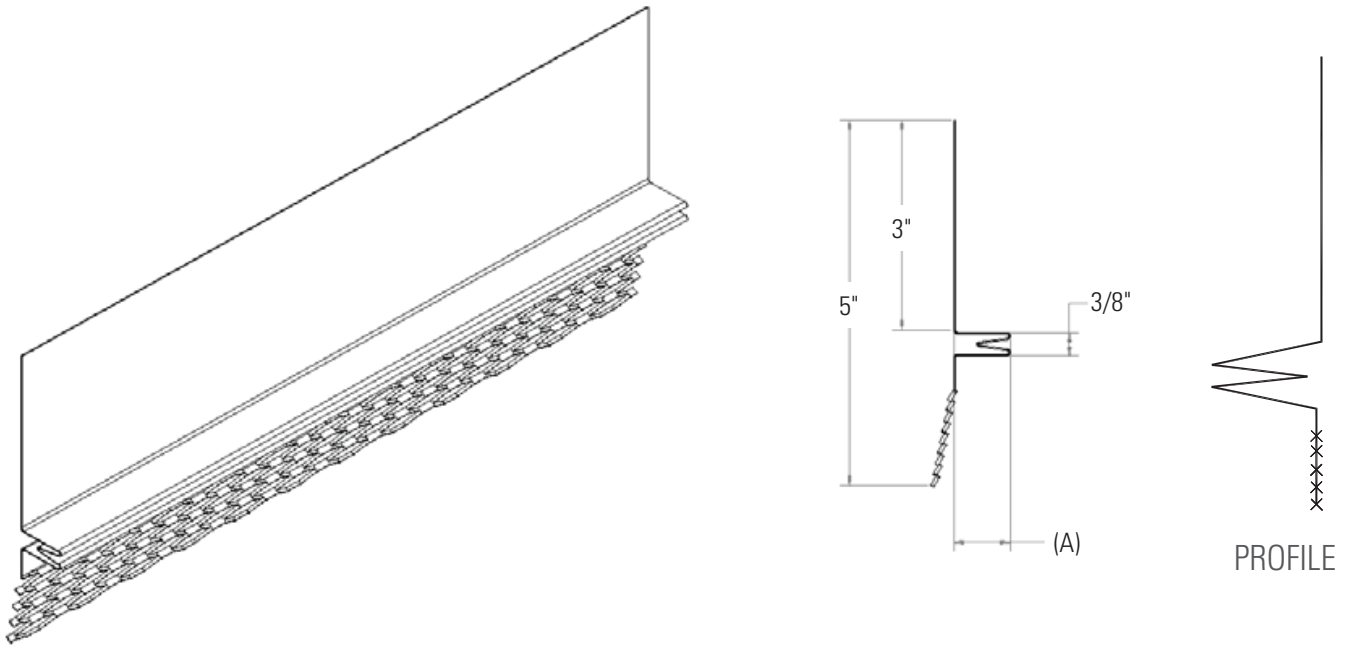
Corporate Headquarters
 13191 Crossroads Pkwy N., Ste 325
 City of Industry, CA 91746
 Phone: 800.775.2362
 Fax: 626.330.7598

Manufacturing Facilities
 City of Industry, CA
 Denver, CO
 Ft. Worth, TX
 Pittsburg, CA

Structural Engineering/Design
 1001-A Pittsburg Antioch Hwy
 Pittsburg, CA 94565
 Phone: 800.775.2362
 Fax: 626.330.7598

Technical Services
 13191 Crossroads Pkwy N., Ste 325
 City of Industry, CA 91746
 Phone: 800.416.2278
 Fax: 626.249.5004

#15 SOLID LEG CONTROL JOINT SPECIFICATION



The **#15 SOLID LEG CONTROL JOINT** is manufactured for horizontal application on exterior plaster walls. The .30" gap in the V groove is designed to allow movement due to horizontal expansion and contraction of plastered walls. The 5" x 3/4" horizontal control joint has a 3" long upper solid flange that allows for water to weep out of the stucco cavity and a 1.5" long lower expanded metal flange that allows proper keying of plaster. The Control Joint is fabricated from minimum 0.018-inch thick hot-dipped galvanized steel complying with ASTM A653 having a minimum G90 coating complying with ASTM A924. **U.S. PATENT NO. 7,673,421 B2.**

Size	Pcs./Bundle	Length	Ft./Bundle	Wt./Bundle	Pieces/Pallet
3/4" (0.75")	15	10'	150	63 lbs.	30
7/8" (0.875")	15	10'	150	63 lbs.	30

Technical Services

Technical Services: 800.416.2278
 Structural Engineering/Design: 925.473.9340
 www.cemcosteel.com



This technical information reflects the most current information available and supersedes any and all previous publications effective May 2, 2018.

05-02-18 AT